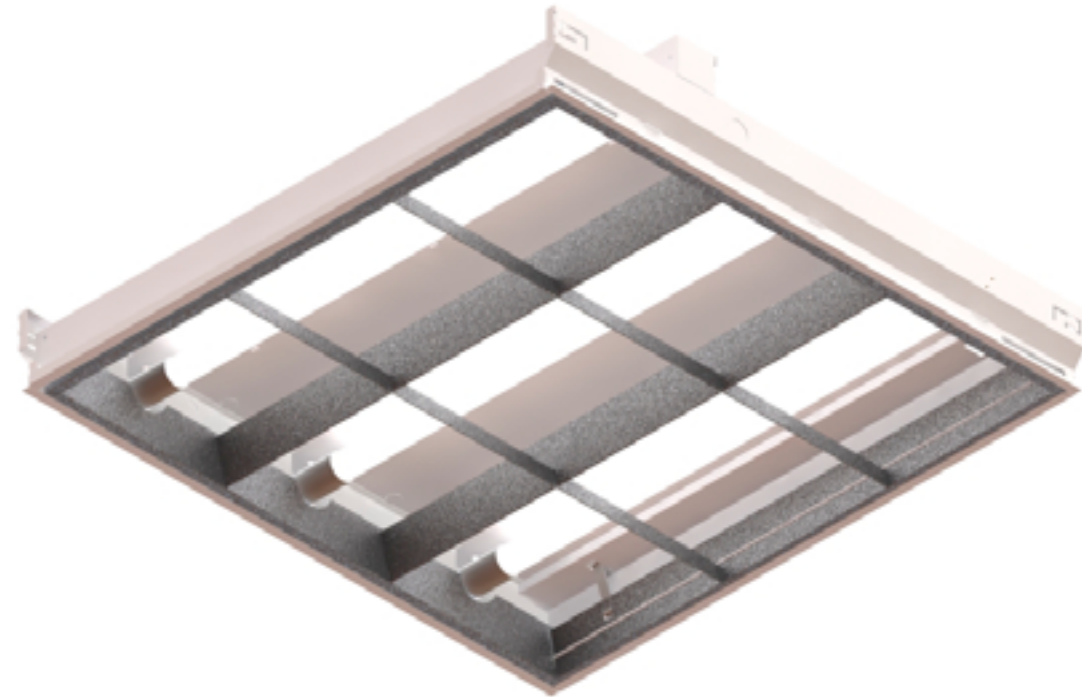
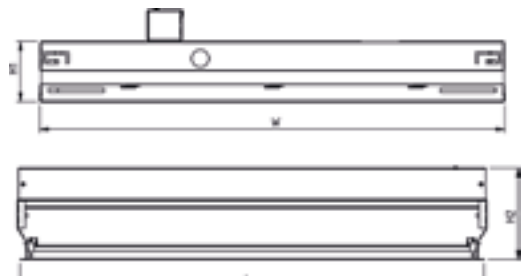


DBL 591 R



Dimensions



Size	L (Inches)	W (Inches)	H (Inches)	H2
2'x2'	23,74	23,74	3,07	4,65
2'x4'	47,71	23,74	3,07	4,65

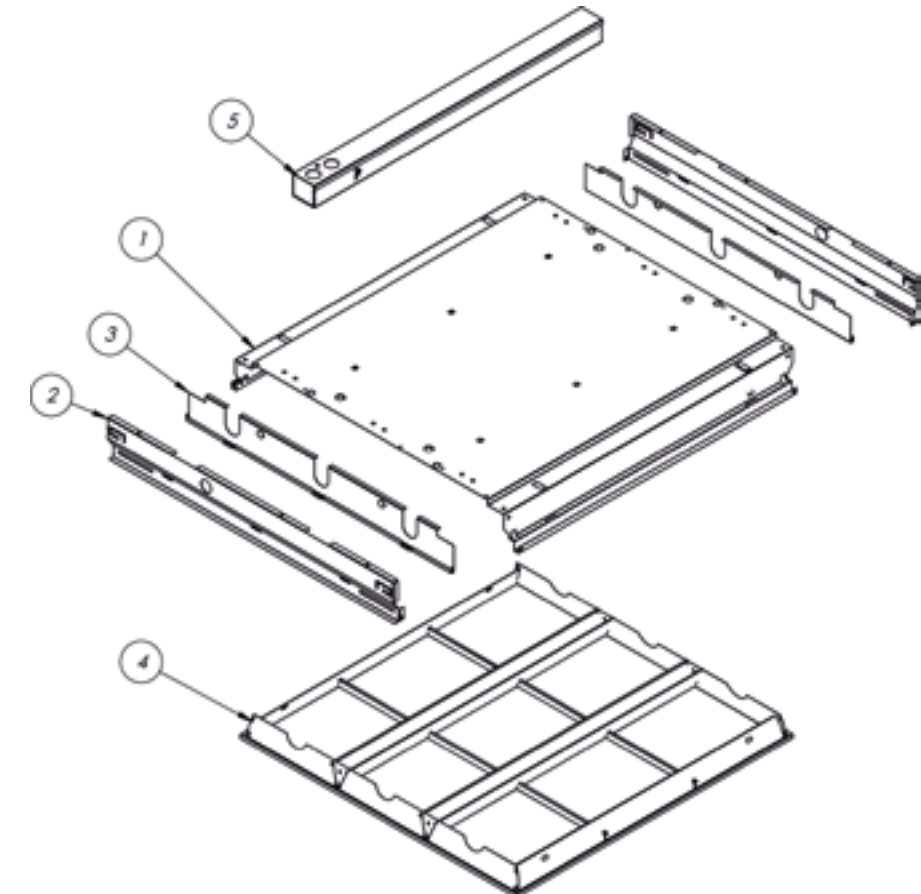
Features & Benefits

- Recessed Mounted.
- Electrostatically applied polyester powder coat paint in Matte White Finish with 92% reflectance.
- 3 x T8 Lamps or LED Modules.
- Parabolic Louver Latch System.
- Driver Box System for Driver installation.
- Formed and welded in 26 Gauge steel (0.45mm). Driver Box system in 23 gauge steel (0.60mm).

Packing

Size	Light Emission	Unit Weigth (Pounds)	Qtty/ Pallet	Pallet's/ 40'Cnt	Weigth per Pallet (Pounds)
2'x2'	Lamp LED	8,14	165	27	1344
2'x4'	Lamp LED	13,97	100	27	1397

DBL 591 R



DBL 591 R 2x2			DBL 591 R 2x4		
DESCRIPTION	PART NUMBER	QTTY	DESCRIPTION	PART NUMBER	QTTY
Body	591 2210	1	Body	591 2410	1
Headboard	591 2231	2	Headboard	591 2231	2
Socket Cover	591 2220	2	Socket Cover	591 2220	2
Parabolic Louver	591 2291	1	Parabolic Louver	591 2491	1
Driver Cover	591 2261	1	Driver Cover	591 2461	1

*Lens are optional, available to purchase separately.
*Metal Parts Only, Hardware necessary to assemble are not included.