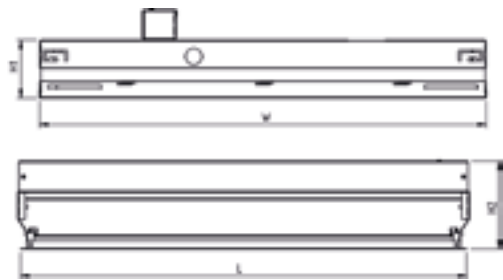




## Dimensions



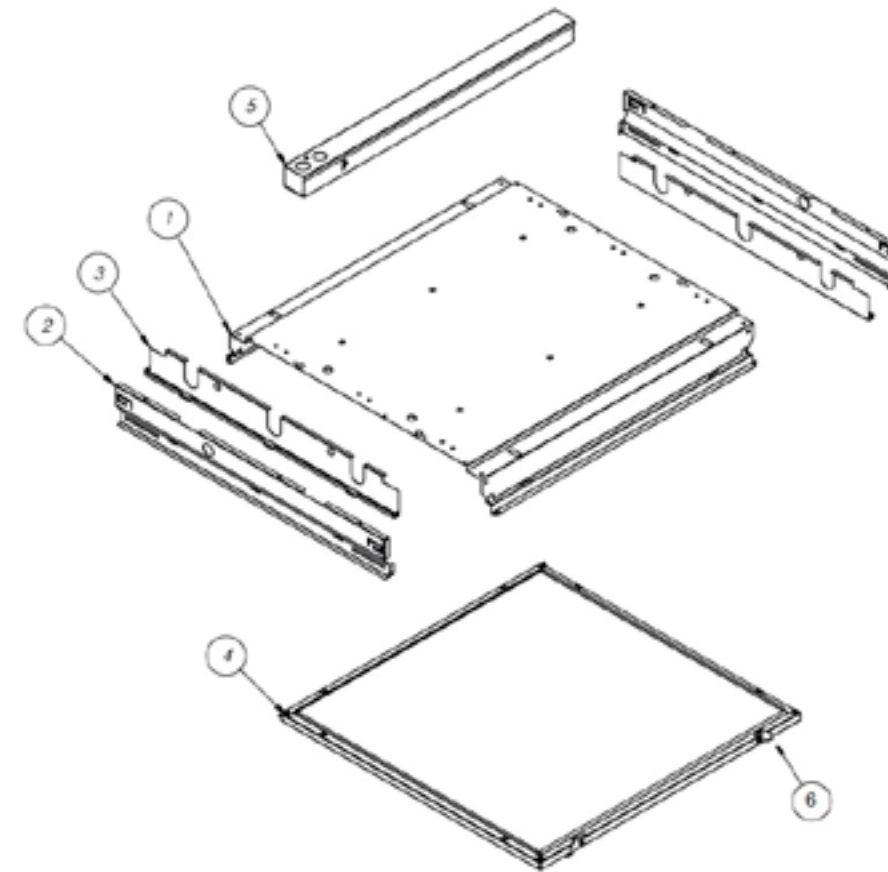
Size	L (Inches)	W (Inches)	H (Inches)	H2
2'x2'	23,74	23,74	3,07	4,65
2'x4'	47,71	23,74	3,07	4,65

## Features & Benefits

- Recessed Mounted.
- Electrostatically applied polyester powder coat paint in Matte White Finish with 92% reflectance.
- 3 x T8 Lamps or LED Modules.
- Frame & Latches system, for easy access and maintenance.
- Driver Box System for Driver installation.
- Formed and welded in 26 Gauge steel (0.45mm). Driver Box system in 23 gauge steel (0.60mm).

## Packing

Size	Light Emission	Unit Weigth (Pounds)	Qty/ Pallet	Pallet's/ 40'Cnt	Weigth per Pallet (Pounds)
2'x2'	Lamp LED	8,8	165	26	1452
2'x4'	Lamp LED	14,63	100	27	1463



DIF 552 R 2x2			DIF 552 R 2x4		
DESCRIPTION	PART NUMBER	QTTY	DESCRIPTION	PART NUMBER	QTTY
Body	591 2210	1	Body	591 2410	1
Headboard	591 2231	2	Headboard	591 2231	2
Socket Cover	591 2220	2	Socket Cover	591 2220	2
Lens Frame	200 2208	1	Lens Frame	200 2408	1
Driver Cover	591 2261	1	Driver Cover	591 2461	1
R LATCH	200 2296	1	R LATCH	200 2296	1
L LATCH	200 2297	1	L LATCH	200 2297	1

\*Lens are optional, available to purchase separately.  
\*Metal Parts Only, Hardware necessary to assemble are not included.