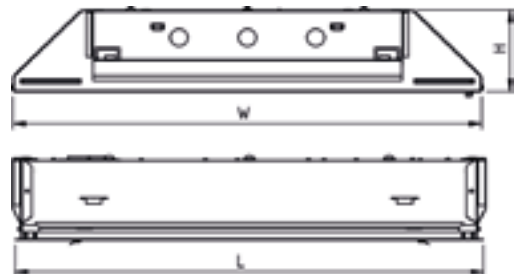


LFT 1200



Dimensions



Size	L (Inches)	W (Inches)	H (Inches)
2'x2'	23,74	23,74	4,17
2'x4'	47,71	23,74	4,17

Features & Benefits

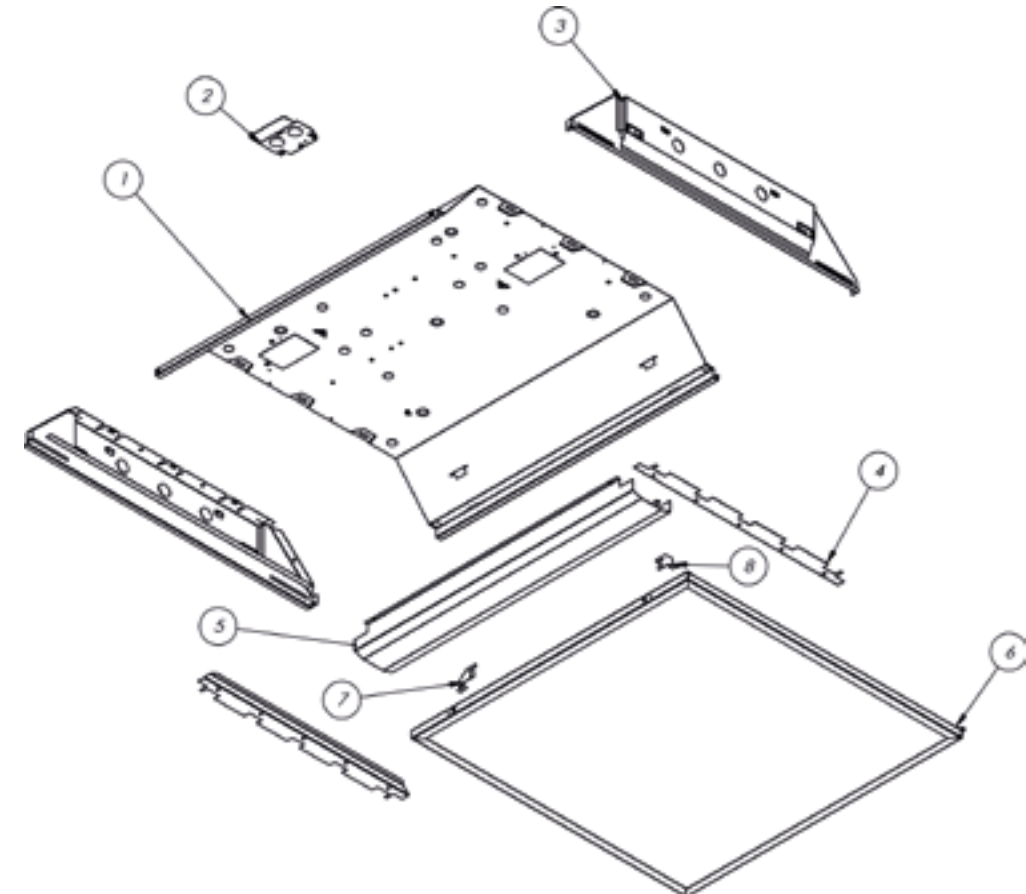
- Recessed Mounted.
- 2/3/4 x T8 Lamp; U-lamp system available.
- Electrostatically applied polyester powder coat paint in Matte White Finish with 92% reflectance.
- Formed and welded in 23 Gauge steel (0.60mm).
- Frame & Latches system, for easy access and maintenance.

Packing

Size	Light Emission	Unit Weigh (Pounds)	Qty/ Pallet	Pallet's/ 40'Cnt	Weigh per Pallet (Pounds)
2'x2'	Lamp LED	10,45	144	24	1505
2'x4'	Lamp LED	17,71	90	23	1594



LFT 1200



LFT 1200 2x2			LFT 1200 2x4		
DESCRIPTION	PART NUMBER	QTTY	DESCRIPTION	PART NUMBER	QTTY
Body	1200 2210	1	Body	1200 2410	1
Access Plate	510 15	1	Access Plate	510 15	1
Headboard	1200 2231	2	Headboard	1200 2231	2
Socket Bracket	1200 2211	2	Socket Bracket	1200 2211	2
Ballast Cover	1200 2261	1	Ballast Cover	1200 2461	1
Lens Frame	200 2208	1	Lens Frame	1200 2408	1
R LATCH	200 2296	1	R LATCH	200 2296	1
L LATCH	200 2297	1	L LATCH	200 2297	1

*Lens are optional, available to purchase separately.
*Metal Parts Only, Hardware necessary to assemble are not included.

