

# RVC 474



## Dimensions



Size	L (Inches)	W (Inches)	H (Inches)
1'x4'	47,72	11,85	3,71
2'x2'	23,74	23,74	3,71
2'x4'	47,72	23,74	3,71

## Features & Benefits

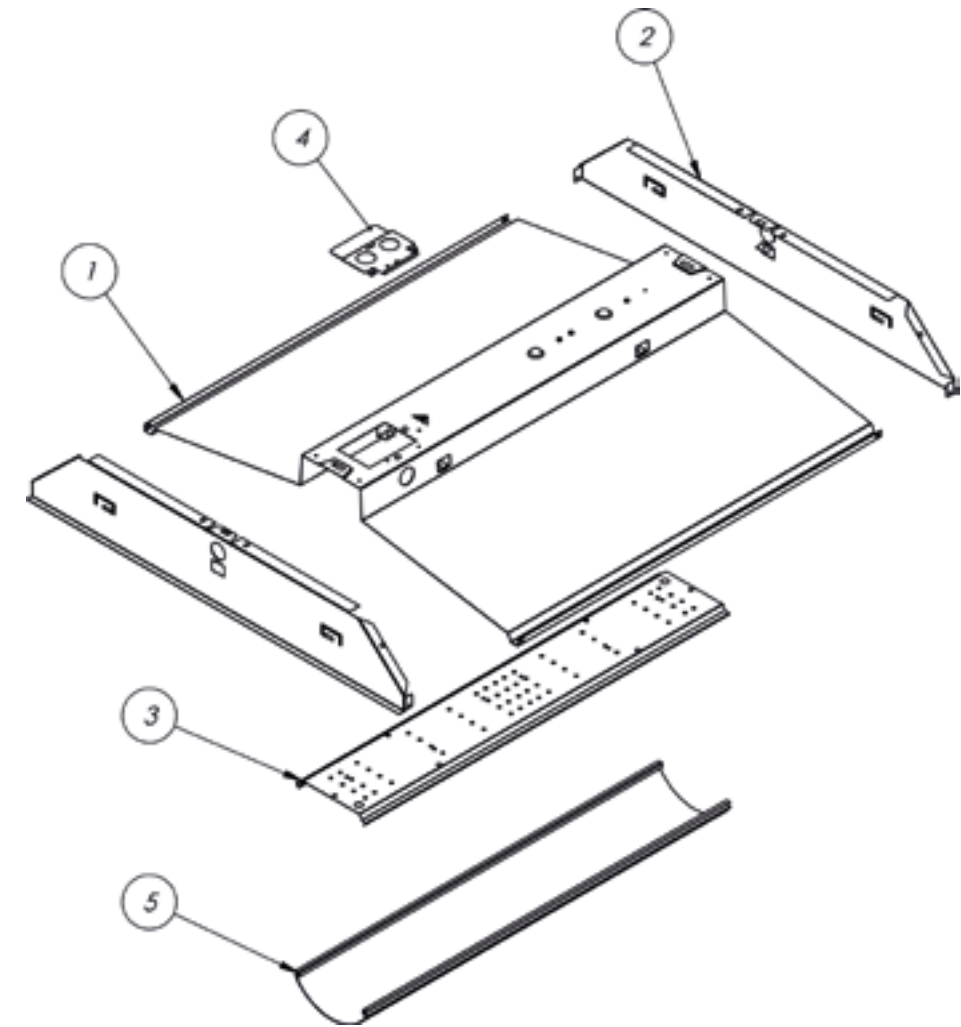
- Recessed mounted.
- Volumetric Center Lens.
- Electrostatically applied polyester powder coat paint in Matte White Finish with 92% reflectance.
- Formed and welded in 23 Gauge steel (0.60mm).
- Rigid Acrylic Technical ribbed diffuser with 90% light transmission or Flexible Lens Film.

## Packing

Size	Light Emission	Unit Weigth (Pounds)	Qtty/ Pallet	Pallet's/ 40'Cnt	Weigth per Pallet (Pounds)
1'x4'	Led Modules	8,47	180	24	1525
2'x2'	Led Modules	7,48	180	27	1347
2'x4'	Led Modules	13,2	120	23	1584



# RVC 474



RVC 474 1x4			RVC 474 2x2			RVC 474 2x4		
DESCRIPTION	PART NUMBER	QTT	DESCRIPTION	PART NUMBER	QTT	DESCRIPTION	PART NUMBER	QTT
Body	474 1410	1	Body	474 2210	1	Body	474 2410	1
Heaboard	474 1431	2	Heaboard	474 2231	2	Heaboard	474 2431	2
LED Chassi	474 2406	1	LED Chassi	474 2206	1	LED Chassi	474 2406	1
Access Plate	510 15	1	Access Plate	510 15	1	Access Plate	510 15	1
Extruded Lens	474 2452	1	Extruded Lens	474 2252	1	Extruded Lens	474 2452	1

\*Lens are optional, available to purchase separately.  
\*Metal Parts Only, Hardware necessary to assemble are not included.

